

Solid State Start Switch

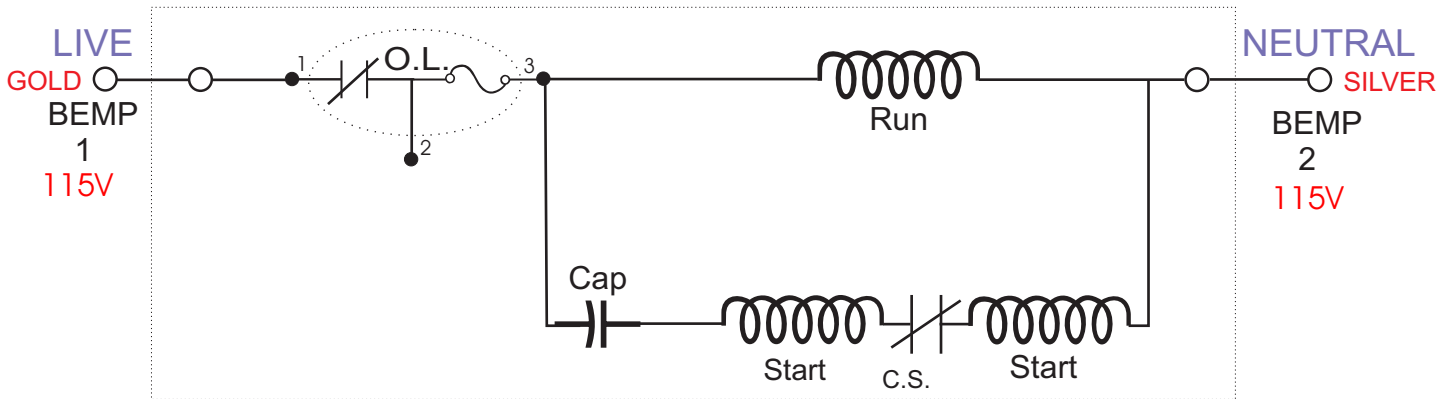
SS110BE (BACKEND)



National Back-end Motors AMF 82-70

Single Voltage 115V motor
115V supply voltage

Before

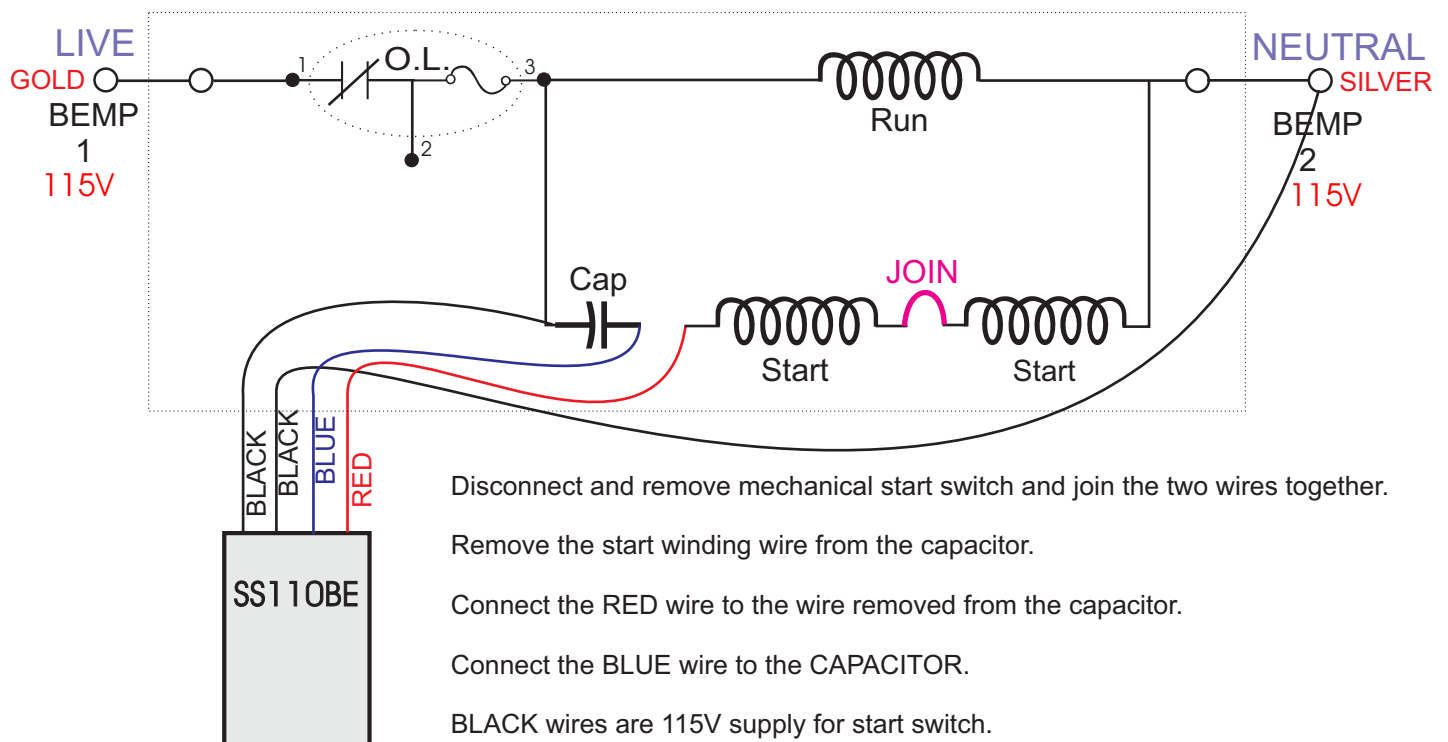


The RED and BLUE wires of the Solid State Start Switch take the place of the mechanical start switch.

The two BLACK wires supply 115V to power the switch.

The Solid State Start Switch senses the load on the motor by constantly measuring the current draw in order to determine when and for how long the START windings are required to be in-circuit.

After



Disconnect and remove mechanical start switch and join the two wires together.

Remove the start winding wire from the capacitor.

Connect the RED wire to the wire removed from the capacitor.

Connect the BLUE wire to the CAPACITOR.

BLACK wires are 115V supply for start switch.

The Solid State Start Switch will not work if the RED and BLUE wires are reversed.